

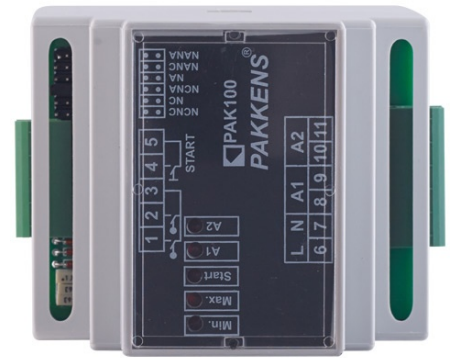
Pressure Gauges / Accessories / All in One Contact Control Kit

CONSTRUCTIVE PROPERTIES

	STANDARD	OPTIONAL
Maximum Voltage	220 V	-
Maximum Current	10 A	25 A
Usable Contacts	NO-NC-NONO-NCNC-NCNO-NONC	

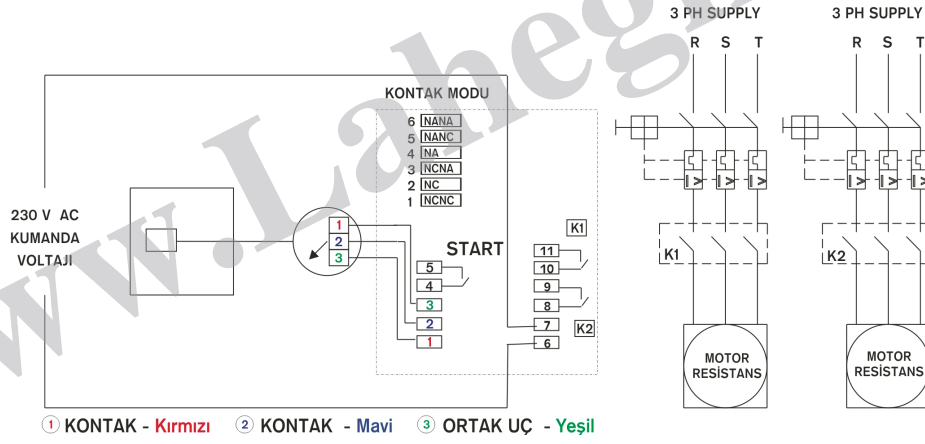
USAGE PROPERTIES

Applications	Used where high vibration exists, contacts are switched in very short intervals.	
--------------	--	--



2650 9171 00

All in One Contact Control Kit



Model No: 2650 9171 00

**ELECTRICAL CONTACTED PRESSURE GAUGES
ALL IN ONE CONTACT CONTROL KIT**

11.70

